

PVC (AMERICAS)



PVC (AMERICAS)



Mechanical & Abrasion Protection
Electrical Insulation



Flexible Smooth Tubing



Tubular



PVC



Standard: Black, crystal, gray, orange, red, yellow, white, green, blue
Option: Stripe. Other colors upon request.



Low: -40°C (-40°F)
High: 125°C (257°F)



Options: PVC 85°C (T1 class)
PVC 100°C (T2 class)
PVC 125°C (T3 class)



High dielectric strength up to 20kV
Light abrasion protection

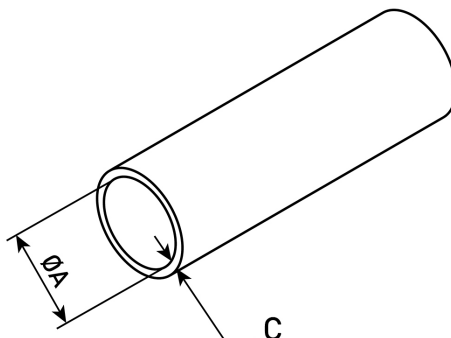
PHYSICAL PROPERTIES

Physical properties	Spec	PVC70 CR (T1 class)	PVC70 (T1 class)	PVC90 (T1 class)	PVC85 CL (T1 class)	PVC87 105 (T2 class)	PVC80 HT (T2 class)	PVC3C (T3 class)
Thermal properties								
Long term aging (3000h)	-		85°C			100°C		125°C
Short term aging (240h)	-		100°C			125°C		150°C
Low temperature resistance	-	-40°C	-40°C	-40°C	-30°C	-40°C	-40°C	-40°C
Other properties								
Hardness (shore A)	-	66	70	88	82	87	80	83
Flammability (mm/min)	FMVSS 302	self-ext.	self-ext.	self-ext.	self-ext.	self-ext.	self-ext.	self-ext.
Chemical resistance	Resists the majority of chemicals and automotive fluids							

DIMENSIONS

Standard sizes are from 2 mm to 40 mm, internal diameter (A).

Standard thickness dimensions (C) are from 0.4 mm to 2 mm. Other dimensions upon request only.



PACKAGING

Rolls

Cut lengths from 15 to 2,000 mm

(Other lengths upon request only)